

H4 IR PTZ Camera with Self-Learning Video Analytics

The Avigilon H4 IR PTZ is a high-resolution outdoor PTZ camera with a 250 meter (820 feet) IR illumination range that automatically adjusts the IR projection angle according to zoom and field of view, ensuring the scene is illuminated accordingly to camera zoom level. Combined with WDR, image stabilization and Avigilon patented LightCatcher™ technology, this camera provides exceptional images in a wide range of applications and environments. An abrasion-resistant front lens and a built in silicone rubber wiper* ensures undistorted clean images even in adverse weather conditions, making it well-suited for a range of weather and outdoor surveillance applications.

* Available on models with part numbers that end in -WP.



The Avigilon H4 IR PTZ camera combines infrared illumination, fast autofocus, and precise Pan-Tilt-Zoom capabilities for operators to easily detect and follow a moving object with a high level of precision and control with a single camera. The new H4 IR PTZ camera line is available in 1 and 2 megapixel (MP) camera resolutions, situated in a pendant mount suitable for challenging outdoor environments. The 1 MP PTZ camera has 45x zoom, while the 2 MP PTZ has a built-in 30x zoom optical glass front lens for high-quality, detailed images from great distances.

With its powerful zoom lens and IR technology, the H4 IR PTZ allows users to see up to 250 meters (820 feet) in complete darkness. The camera's IR projection angle and distance automatically adjust based on camera zoom lens movement, ensuring the scene is well illuminated for high-quality, detailed images.

Avigilon HDSM SmartCodec™ technology H4 platform optimizes the video stream in real time using automatic ROI encoding to save bandwidth and storage requirements while maintaining image quality.

KEY FEATURES

- Optimized for long range illumination up to 250 meters (820 feet) zoomed in or out, allowing the operator to see in total darkness
- Built in 850nm IR illumination ensures the scene is well illuminated
- Smooth, fast precision PTZ movements with tilt reaching 20 degrees above the horizon
- Self-learning video analytics at the home position
- 1 MP and 2 MP camera resolutions up to 60 fps
- 1 MP zoom to a range of 45x and 2 MP zooms up to 30x
- Wide Dynamic Range (WDR), Electronic Image Stabilization (EIS), and LightCatcher technologies provide exceptional image quality
- Avigilon's HDSM SmartCodec technology and idle scene mode technology for reduced bandwidth and storage requirements
- IK 10 impact rating
- Outdoor housing IP66 certified for comprehensive dust and water ingress protection
- New H4 IR PTZ mounting adaptors, with wall mount or NPT mount available for order
- Compatible with present H4 PTZ corner mount and pole mount accessories

Specifications

| | | 1.0 MP | 2.0 MP |
|--------------------------|-----------------------------------|---|--|
| IMAGE PERFORMANCE | Image Sensor | WDR 1/2.8" progressive scan CMOS | |
| | Active Pixels | 1280 (H) × 720 (V) | 1920 (H) × 1080 (V) |
| | Imaging Area | 4.8 mm (H) × 2.7 mm (V); 0.189" (H) × 0.106" (V) | |
| | IR Illumination | 250 m (820 ft) maximum distance at 0 lux | |
| | Minimum Illumination | 0 lux in IR mode; 0.1 lux (F/1.6) in color mode (no IR); 0.03 lux (F/1.6) in monochrome mode (no IR) | |
| | Dynamic Range | 120+ dB | |
| | Image Rate | Up to 60 fps | |
| | (Aspect Ratio) Resolution Scaling | down to (16:9) 384×216 or (5:4) 320×256 | |
| | 3D Noise Reduction Filter | Yes, Adjustable Strength | |
| | LENS | Lens | 4.3 to 129 mm, F/1.6 – F/4.7, autofocus |
| Angle of View | | 1.5° - 63.7° | 2.3° - 63.7° |
| Optical Zoom | | 45x | 30x |
| IMAGE CONTROL | Video Compression | H.264 (MPEG-4 Part 10/AVC), Motion JPEG, HDSM SmartCodec technology | |
| | Streaming | Multi-stream H.264 and Motion JPEG | |
| | Motion Detection | Selectable sensitivity and threshold | |
| | Electronic Shutter Control | Automatic, Manual (1/1 to 1/10,000 sec) | |
| | Iris Control | Automatic, Manual | |
| | Day/Night Control | Automatic, Manual | |
| | Flicker Control | 50 Hz, 60 Hz | |
| | White Balance | Automatic, Manual | |
| | Backlight Compensation | Manual | |
| | Privacy Zones | Up to 64 zones, 3D privacy mask supported | |
| | Presets | 500 named presets | |
| | Tours | 10 named guard tours | |
| | Audio Compression Method | G.711 PCM 8 kHz | |
| | Digital Zoom | Up to 100x when used with ACC™ Client for Windows | |
| | Electronic Image Stabilization | On/Off | |
| Digital Defog | Adjustable/Off | | |
| NETWORK | Network | 100BASE-TX | |
| | Cabling Type | CAT5e | |
| | Connector | RJ-45 | |
| | ONVIF® | ONVIF compliance version 1.02, 2.00, Profile S, Profile T, Profile G (www.onvif.org) | |
| | Security | Password protection, HTTPS encryption, digest authentication, WS authentication, user access log, 802.1x port based authentication | |
| | Protocol | IPv6, IPv4, HTTP, HTTPS, SOAP, DNS, NTP, RTSP, RTCP, RTP, TCP/UDP, IGMP, ICMP, DHCP, Zeroconf, ARP, LLDP, HSTS | |
| | Streaming Protocols | RTP/UDP, RTP/UDP multicast, RTP/RTSP/TCP, RTP/RTSP/HTTP/TCP, RTP/RTSP/HTTPS/TCP, HTTP | |
| | Device Management Protocols | SNMP v2c, SNMP v3 | |
| PERIPHERALS | Audio Input/Output | Line level input and output | |
| | Analog Video Output | N/A | |
| | External I/O Terminals | Four (4) Alarm In; Two (2) Alarm Out | |
| | Onboard Storage | microSD/microSDHC/microSDXC slot – video speed class card required. Class V10 or better recommended | |
| MECHANICAL | Dimensions (ØxH) | Camera — (Ø) 250 mm × (H) 364 mm; (Ø) 9.84" × (H) 14.33"; Camera with wall mount — (W) 363 mm × (L) 250 mm × (H) 457 mm; (W) 14.29" × (L) 9.84" × (H) 17.99"; Camera with NPT mount — (Ø) 250 mm × (H) 444 mm; (Ø) 9.84" × (H) 17.48" | |
| | Weight | Camera — 6.66 kg; 14.68 lbs; Camera with wall mount — 7.77 kg; 17.13 lbs; Camera with NPT mount — 7.13 kg; 15.72 lbs | |
| | Front Window | Optical glass | |
| | Body | Aluminum | |
| | Housing | Pendant mount | |
| | Finish | Cast, Powder Coated, Close to RAL9002 | |
| | Tilt | -20° to 90°, Auto-Flip, 300°/second max | |
| | Pan | 360°, endless, 300°/second | |
| ELECTRICAL | Power Consumption | 75 W max with 24 VDC aux power, 71W max with 95W PoE, 105 VA with 24 V AC RMS aux power | |
| | Power Source | External Power | 24 VDC ± 10%; 24 VAC rms ± 10%, 50 or 60Hz |
| | | PoE* | 95W PoE*: POE-INJ2-95W 60W PoE*: POE-INJ2-60W |
| | Aux Power Connection | Red and Black wires | |
| | RTC Backup Battery | 3V manganese lithium | |

* High power PoE may not be compatible with all switches or injectors. High power PoE is compatible with Cisco® UPoE, up to 60 W over 4 pairs, or with the high PoE products listed in the Accessories section. Contact Avigilon sales or Avigilon technical support for more information.

ONVIF is a trademark of Onvif, Inc.

Listed specifications may change without prior notice.

| | | |
|----------------------|-----------------------|---|
| ENVIRONMENTAL | Operating Temperature | -40 °C to +60 °C (-40 °F to 140 °F) with external power or 95 W PoE -10 °C to +50 °C (14 °F to 122 °F) with 60W PoE Wiper is functional at 1 °C to +60 °C (34 °F to 140 °F) |
| | Storage Temperature | -10 °C to +70 °C (14 °F to 158 °F) |
| | Humidity | 0 - 95% non-condensing |

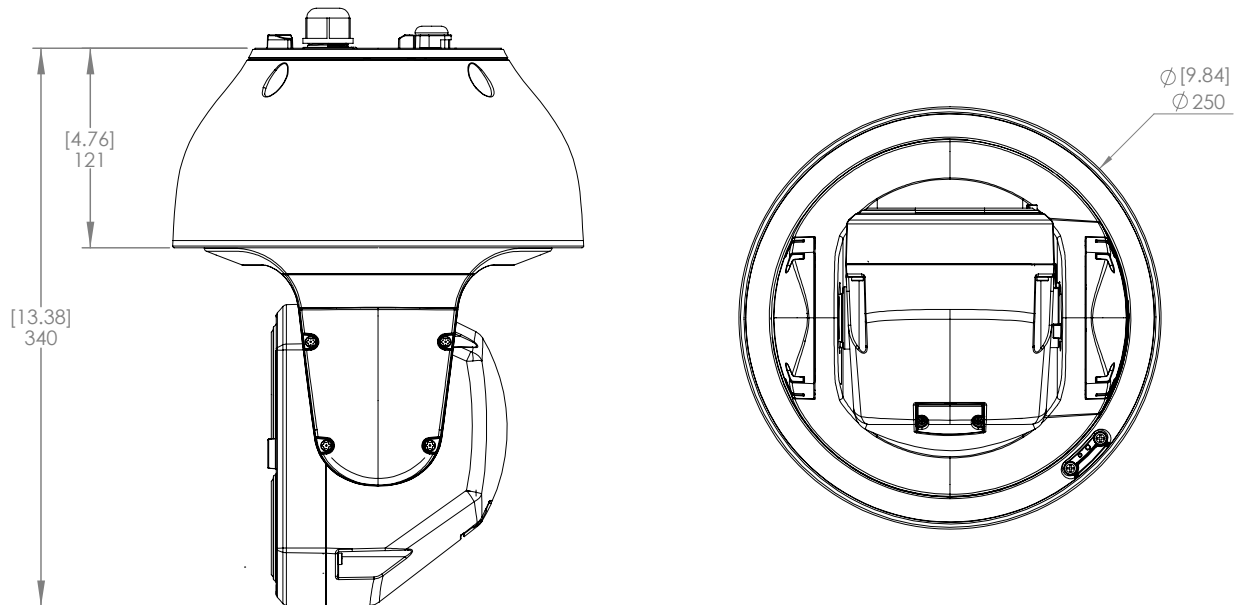
| | | |
|-----------------------|---------------------------|--|
| CERTIFICATIONS | Certifications/Directives | UL, cUL, CE, ROHS, RCM, EAC, BIS, KC, UKCA, NOM |
| | Safety | UL 62368-1, CSA 62368-1, IEC/EN 62368-1 |
| | Environmental | IK10 Impact Rating, IEC 60529 IP66 Rating, UL/CSA/IEC 60950-22 |
| | Electromagnetic Emissions | FCC Part 15 Subpart B Class B, IC ICES-003 Class B, EN 55032 Class B, EN 61000-6-3, EN 61000-3-2, EN 61000-3-3 |
| | Electromagnetic Immunity | EN 55035, EN 61000-6-1 |
| | Industrial EMC | EN 50121-4 |

| | | |
|--|-------------------------------|--|
| SUPPORTED VIDEO ANALYTICS EVENTS AT HOME POSITION | Objects in Area | The event is triggered when the selected object type moves into the region of interest |
| | Object Loitering | The event is triggered when the selected object type stays within the region of interest for an extended amount of time. |
| | Objects Crossing Beam | The event is triggered when the specified number of objects have crossed the directional beam that is configured over the camera's field of view. The beam can be unidirectional or bidirectional. |
| | Object Appears or Enters Area | The event is triggered by each object that enters the region of interest. This event can be used to count objects. |
| | Object Not Present in Area | The event is triggered when no objects are present in the region of interest. |
| | Objects Enter Area | The event is triggered when the specified number of objects have entered the region of interest. |
| | Objects Leave Area | The event is triggered when the specified number of objects have left the region of interest. |
| | Object Stops in Area | The event is triggered when an object in a region of interest stops moving for the specified threshold time. |
| | Direction Violated | The event is triggered when an object moves in the prohibited direction of travel. |
| | Tamper Detection | The event is triggered when the scene unexpectedly changes. |

Outline Dimensions

Camera

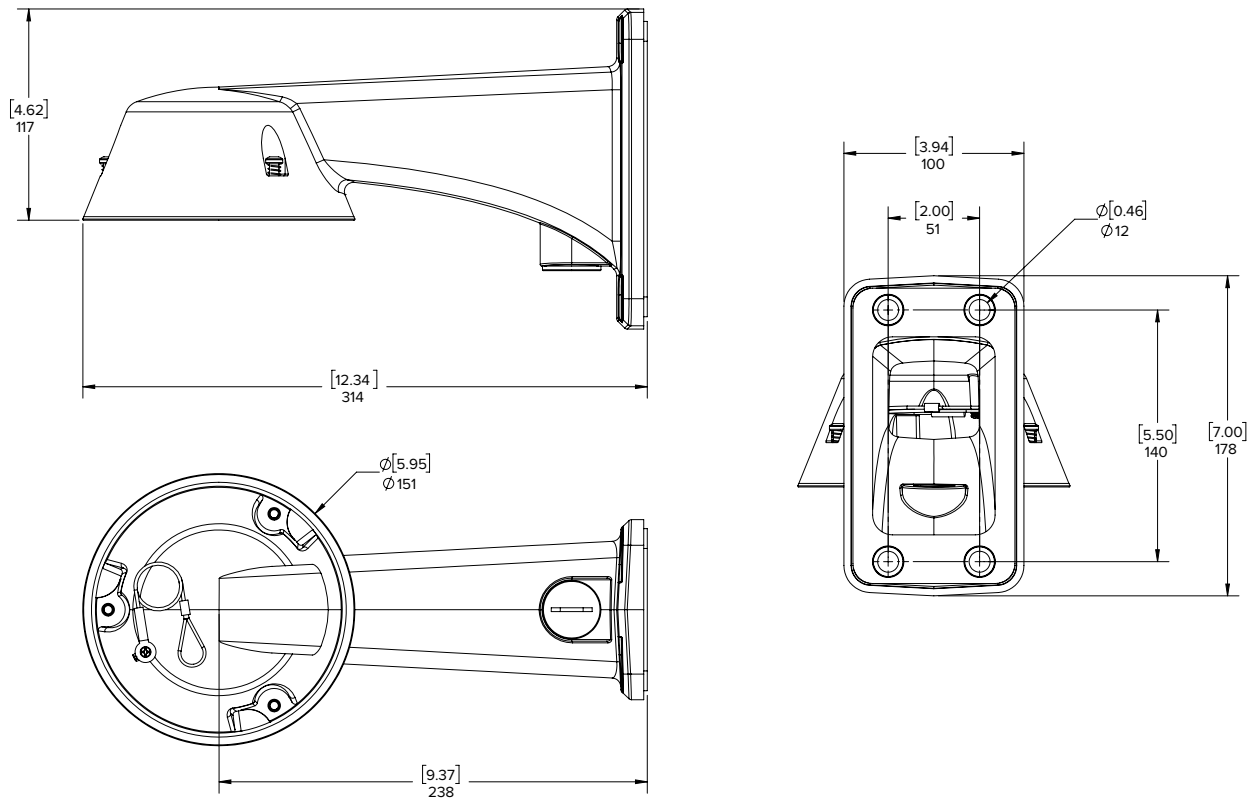
| | |
|-------|--------|
| [X.X] | INCHES |
| X | mm |



NPT Mount



Wall Mount



Ordering Information

| CAMERAS | DESCRIPTION | MP | ZOOM | IR RANGE | ANALYTICS | WDR | LIGHTCATCHER |
|----------------------|---|----|------|----------------|-----------|-----|--------------|
| 1.0C-H4IRPTZ-DP45 | 1MP H4 IR PTZ, 45X, Self-learning analytics, IK10, IP66, 250m IR | 1 | 45 | 250m (820feet) | Yes | Yes | Yes |
| 2.0C-H4IRPTZ-DP30 | 2MP H4 IR PTZ, 30X, Self-learning analytics, IK10, IP66, 250m IR | 2 | 30 | 250m (820feet) | Yes | Yes | Yes |
| 1.0C-H4IRPTZ-DP45-WP | 1MP H4 IR PTZ with Wiper 45X, Self-learning analytics, IK10, IP66, 250m IR | 1 | 45 | 250m (820feet) | Yes | Yes | Yes |
| 2.0C-H4IRPTZ-DP30-WP | 2MP H4 IR PTZ, with Wiper 30X, Self-learning analytics, IK10, IP66, 250m IR | 2 | 30 | 250m (820feet) | Yes | Yes | Yes |

ACCESSORIES

| | |
|------------------|---|
| IRPTZ-MNT-WALL1 | Mount, Pendant wall, IR PTZ |
| IRPTZ-MNT-NPTA1 | Mount, Pendant NPT Adapter, IR PTZ |
| POE-INJ2-95W-NA* | Single Port PoE Injector Gigabit, 95W, NA for use with H4IR PTZ - indoor installation rated. Temperature range of the PoE injector is -10C to +45C. |
| POE-INJ2-60W** | Single Port PoE Injector Gigabit, 60W, NA for use with H4IR PTZ - indoor installation rated. Temperature range of the PoE injector is -10C to +45C. Note: Use of 60W PoE injector reduces the temperature range of the camera. Please look at footnote |
| H4-MT-POLE1 | Pole Mounting Bracket, compatible with IRPTZ-MNT-WALL1 |
| H4-MT-CRNR1 | Corner Mounting Bracket, compatible with IRPTZ-MNT-WALL1 |

* POE 95W injector: This model is provided with North American plug only; other regions may use certified power cord with C13 on one side and the country specific plug on the other side. Countries supported must accept one of the following certifications: UL, cUL, CE, VCCI, CCC, C-Tick.

** POE 60W injector: The camera will operate correctly in reduced temperature range from -10°C to +50°C (14°F to 122°F) with 60W POE. This POE injector model is provided with North American plug only; other regions may use certified power cord with C13 on one side and the country specific plug on the other side. Countries supported must accept one of the following certifications: UL, cUL, CE, VCCI, CCC, C-Tick, KC, EAC.