

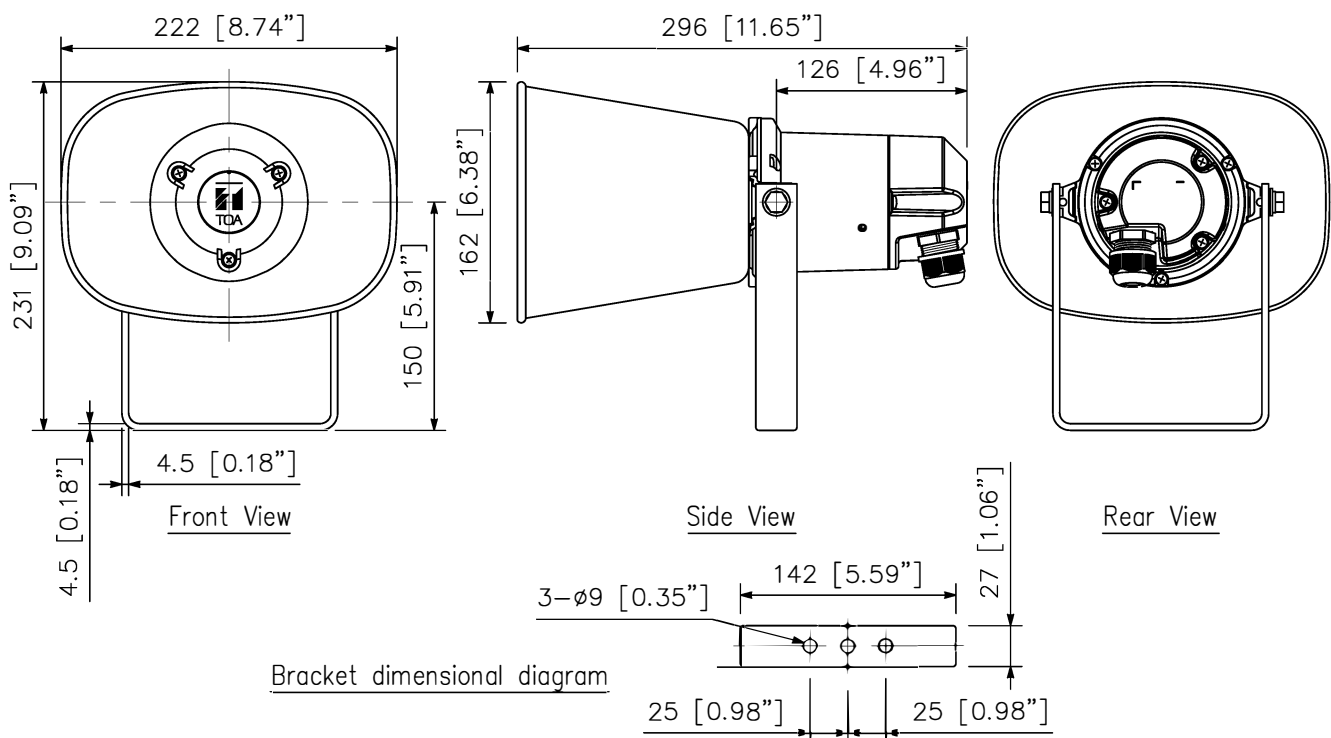
DESCRIPTION

The UC-4SC615 is an IP horn speaker which can be directly connected to an IP network as an endpoint device with a single network cable. Voice announcement, two-way communication, and audio monitoring can be achieved through network. Thanks to its powerful sound and IP66 enclosure, the audio information can be clearly heard even in outdoor spaces. The UC-4SC615 supports various types of industrial standard network protocols and it can be a great option for VMS (Video Management System) and other network audio communication system integrations.

SPECIFICATIONS

Power Source	PoE/PoE+ (IEEE802.3af/at) (via RJ-45)
Power Consumption	13 W (Use of the PoE), 22 W (Use of the PoE+)
Microphone	Electret condenser microphone
Amplifier Rated Output	8 W (Use of the PoE), 15 W (Use of the PoE+)
Sensitivity	121 dB (15 W, 1 m) (500 Hz - 2.5 kHz, peak level) 109 dB (1 W, 1 m) (500 Hz - 2.5 kHz, peak level) 110 dB (15 W, 1 m) (100 Hz - 10 kHz, pink noise) 107 dB (8 W, 1 m) (100 Hz - 10 kHz, pink noise)
Frequency Response	315 Hz - 12.5 kHz
Sampling Frequency	8 - 48 kHz
Audio Codec	G.711u/a, G.722, L16 (8 - 48kHz)
Network I/F	10BASE-T/100BASE-TX, RJ-45
Network Protocol	TCP/IP, UDP, HTTP, RTP, ARP, ICMP, RTSP, SIP (RFC3261), ONVIF v1.7.12
Control Input	1 channel, no-voltage make contact input, open voltage: 5 V DC, short-circuit current: 2 mA or less, removable terminal block (5 pins)
Control Output	1 channel, relay contact output, withstand voltage: 30 V DC, control current: max. 300 mA, removable terminal block (5 pins)
USB Interface	USB2.0 Type-A 1 port
Indicator	LAN LINK/ACT (yellow/green), STATUS (yellow/green/blue)
Dust/Water Protection	IP66
Operating Temperature	-20 °C to +55 °C (-4 °F to +131 °F)
Operating Humidity	90 %RH or less (no condensation)
Finish	Horn flare and body: Aluminum, off-white (RAL 9010 equivalent), paint Rear cover: ABS resin, off-white (RAL 9010 equivalent), paint Reflector horn: ABS resin, off-white (RAL 9010 equivalent) Bracket, screws and bolts: Stainless steel
Dimensions	222 (W) × 231 (H) × 296 (D) mm (8.74" × 9.09" × 11.65")
Weight	1.5 kg (3.31 lb)
Option	Speaker mount bracket: SP-131, Pole band: YS-60B Speaker mount bracket: SP-301, Speaker mount bracket: SP-201 Swivel bracket: YS-151S

APPEARANCE



UNIT:mm SCALE:1/5